







# Wired Runway & Taxiway Light

AV-WRL



The **AV-WRL** is a portable, self-contained medium intensity light with NVG capability. The fixture complies with FAA and ICAO lighting standards.

Standard	Optional
 AC Input	 Battery Backup
	 Power Line Communication
	 IR Output

## Key Features:

- Foldable for Compact Storage
- Configurable for a Variety of Applications
- AC Power Input with an Internal Battery Backup System
- Manually Control Intensity and Operation Mode



AV-WRL Shown Installed on Mounting Tile with Light Head Tilted Up for Operation



AV-WRL Shown Installed on Mounting Tile in Folded Position

## Power Options

The AV-WRL is powered by AC via low voltage long lines connected to the AC input located on the side of the light. When the cables are not deployed or if power is lost, the light will operate via the internal battery backup system, which is charged during AC operation.

## Easy Storage and Installation

The light comprises two main components: a pivoting light head, and the power and communications compartment. The light head rotates on its base, is tilted up when in use, and folded down for storage.

## In-Trailer Charging (AV-HMALS® Compatibility)

The AV-WRL is compatible with the AV-HMALS® trailer system. The fixture fits into each trailer compartment in the folded position, and can be connected to AC for charging while being stored in the trailer.

## Applications

- Runway Edge Light
- Runway End Light
- Runway Threshold Light
- Taxiway Light



### Light Characteristics

Light Source	LED
Available Colors	White, Yellow, Red, Green, Blue, Bi-directional Combinations
Intensity Adjustments	3 or 5 step intensity
Operating Time at Maximum Intensity (Battery)	4 hours
LED Life Expectancy (hours)	> 100,000

### Electrical Characteristics

Circuit Protection	Integrated
Operating Input Voltage	90-264VAC 50/60 Hz
Temperature Range	-40 to 122°F / -40 to 55°C

### Power Supply

Battery Type	Nickel Metal Hydride (NiMH)
Battery Capacity (Ah)	3.8
Nominal Voltage (V)	12
Charger	Integrated
Rated Power	15W
Input Voltage	90-264VAC 50/60 Hz

### Physical Characteristics

Body Material	Painted aluminum
Lens Material	Acrylic
Lens Diameter (inches/mm)	2.5 / 51
Lens Design	Multi-LED optic
Mounting	2 through-holes with a 200mm circle
Height (inches/mm)	Fixed: 10.3 / 262 Folded 4.09 / 104
Width (inches/mm)	9.5 / 241
Length (inches/mm)	9 / 229
Mass (lb/kg)	5.51 / 2.5
Service Life	Up to 12 years

### Environmental Standards

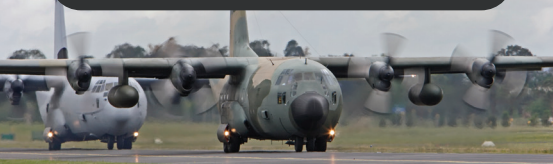
Wind Speed	Up to 300 mph / 483 kph
------------	-------------------------

### Compliance

FAA	AC 150/5345-46E, Photometrics L-801, L-801E
ICAO	Annex 14 Vol 1, July 2018
CE	EN61000-6-4:2012, EN61000-6-2:2019
Quality Assurance	ISO 9001:2015
Waterproof	IP65
Trademarks	AVLITE® and AV-HMALS® are a registered trademark of Avlite Systems

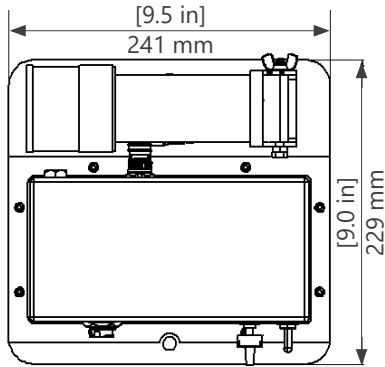
### Other

Warranty *	2 years
Available Options	Infrared
Terms and Conditions	Please refer to product installation manual for further specifications. Warranty Terms and Conditions available at <a href="http://www.avlite.com">www.avlite.com</a> .

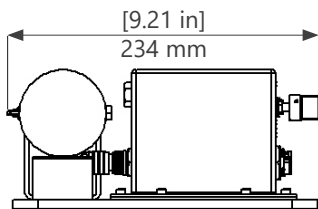


### Technical Illustrations

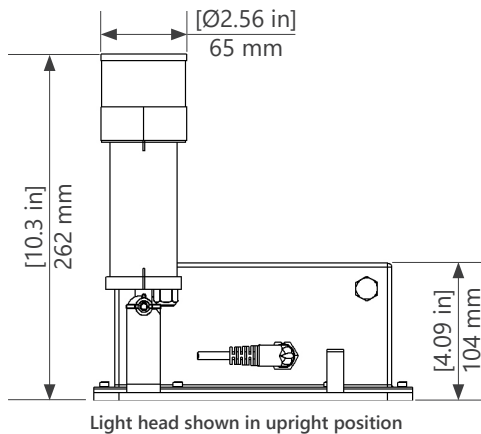
Top View



Front View



Side View

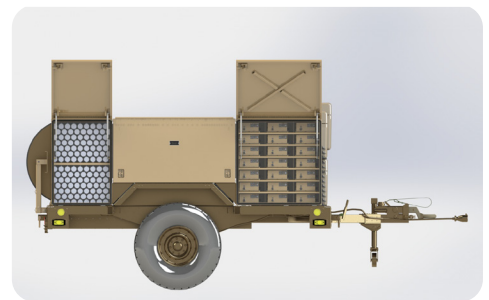


### Ordering This Product

AV-WRL-[XXXX]-[XX]-[XX]-[XX]-[XX]



- 1 Product Number**
- 2 Standard**  
ICAO  
861  
861E  
861T
- 3 Chassis**  
C6 Battery Only, WRL Chassis, No PLC  
C7 Battery Only, WRL Chassis, PLC
- 4 Base Color**  
YL ICAO Yellow  
DT Desert Tan  
NG NATO Green
- 5 LED Configuration**  
W Omni-directional White  
Y Omni-directional Yellow  
G Omni-directional Green  
R Omni-directional Red  
WY Bi-directional White & Yellow  
WR Bi-directional White & Red  
YR Bi-directional Yellow & Red  
GY Bi-directional Green & Yellow  
RG Bi-directional Red & Green  
B Omni-directional Taxiway, Blue
- 6 Options**  
00 No Options  
02 Infrared



AV-WRL Shown Stored Inside AV-HMALS® Trailer System